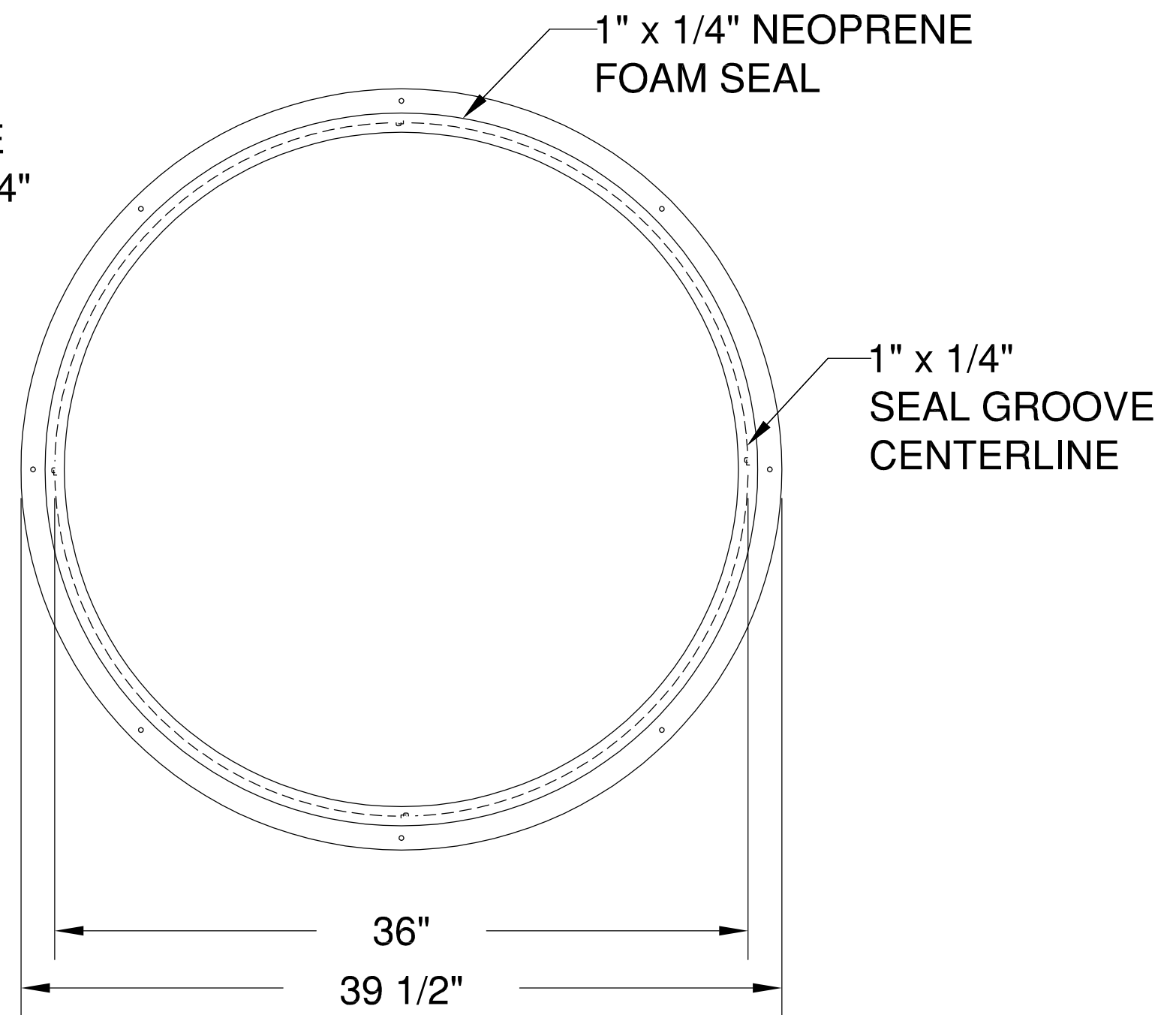
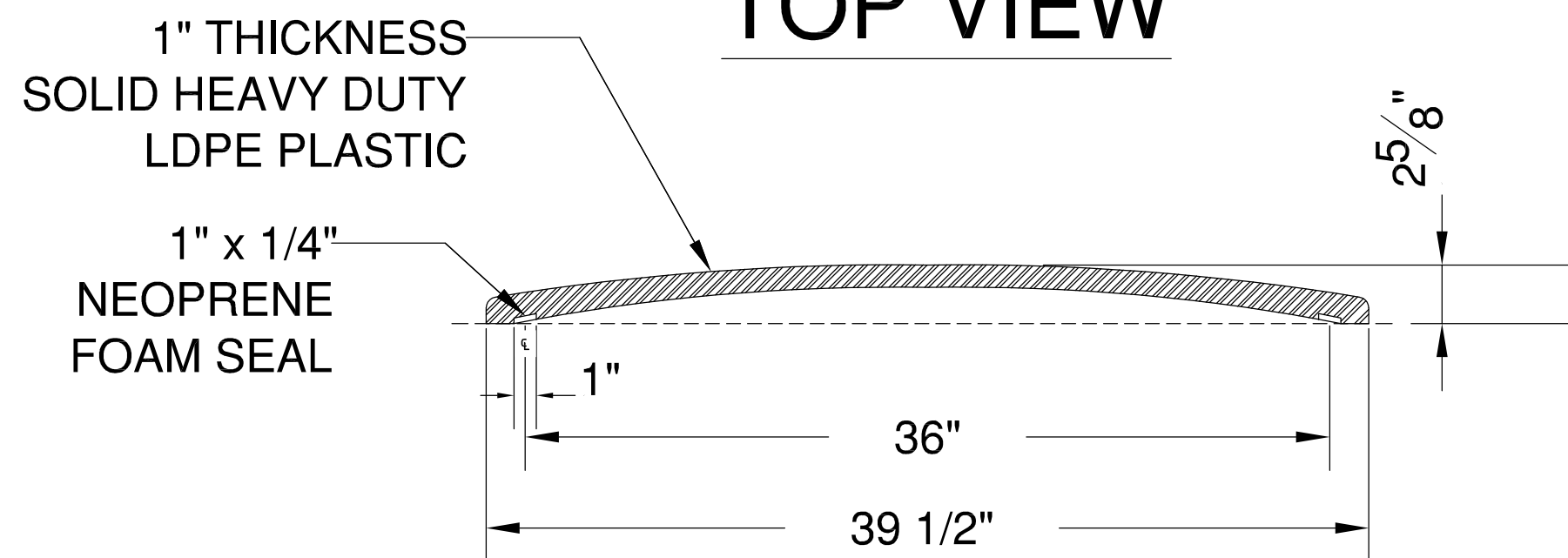


TOP VIEW



BOTTOM VIEW



SECTION A-A

APPROXIMATE WEIGHT: 40 LBS

*ALL DIMENSIONS MAY HAVE SLIGHT VARIANCES



BrenLin
COMPANY, INC.

Manufacture of Seal-R™ Products

13999 Co Hwy 11
Herman, MN 56248
brenlin@frontiernet.net

DWG TITLE

**36 INCH RISER LID
OUTLINE DRAWING**

DWG NO.

SR36RL